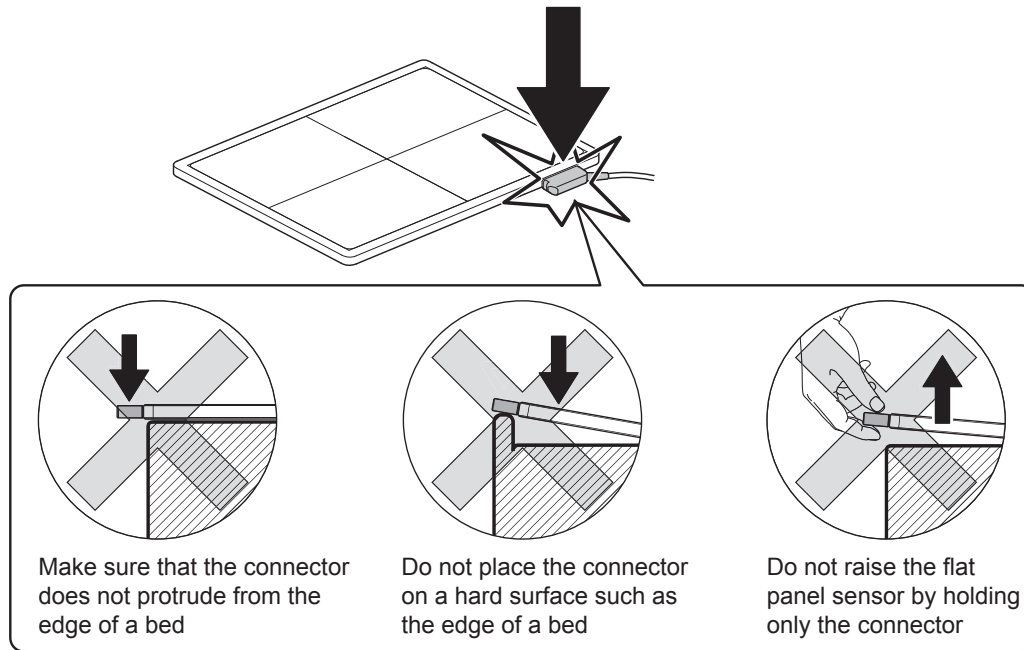


When the SE communication cable is connected to the flat panel sensor to make an exposure on a bed, follow the precautions below. Otherwise a load may be applied locally to the SE communication cable connectors, causing damage to the flat panel sensor.



## 1.5.4 During Cleaning

To clean the outer surfaces, use a cleaning cloth tightly wrung out of commercially available ethanol.



### CAUTIONS

- Be sure to turn off the power before cleaning each part of the device.
- Do not use an excessive amount of ethanol, as doing so may allow the liquid to enter from the gap on the outer surfaces, resulting in the damage to the flat panel sensor, or cause the labels to come off.
- Do not use a solvent such as thinner or benzene, as it corrodes the outer surfaces.
- For other available disinfectants, consult our official dealer.
- Use dehydrated ethanol or ethanol diluted with purified water.

## 1.5.5 Storage

When the flat panel sensor and the image processing unit are not in use, store them in a place where they do not fall or drop.

---

# Chapter 5 Daily Inspection and Maintenance

---

## 5.1 Daily User Inspection and Maintenance

During maintenance and inspection, strictly observe precautions contained in “Chapter 1 For Safe Operation” in this manual for you to use the FDR D-EVO II under best conditions.

---

### 5.1.1 Daily Inspection (DR-ID 1200)

#### Inspection Before Use

- Make sure that the equipment starts up normally.
- Make sure that the equipment communicates with connected devices normally.
- Make sure that the time displayed is correct.
- 🔗 See “3.2 Starting Up and Shutting Down the System” (page 3-9).

#### Inspection During Use

- Make sure that images are output normally.
- 🔗 See “3.3 Routine Operations” (page 3-12).

#### Inspection After Use

- Shut down the equipment.
- 🔗 See “3.2 Starting Up and Shutting Down the System” (page 3-9).

#### Cleaning instructions

Use an ethanol to clean the outer surfaces.



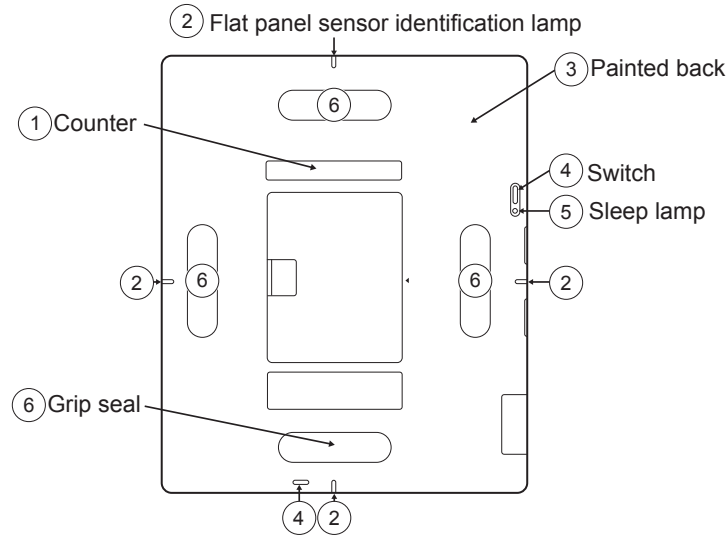
#### CAUTIONS

- Do not use a solvent such as thinner or benzine, as it corrodes the outer surfaces.
  - Make sure not to let water, detergent, ethanol and so on get inside the equipment.
  - Use dehydrated ethanol or ethanol diluted with purified water.
-

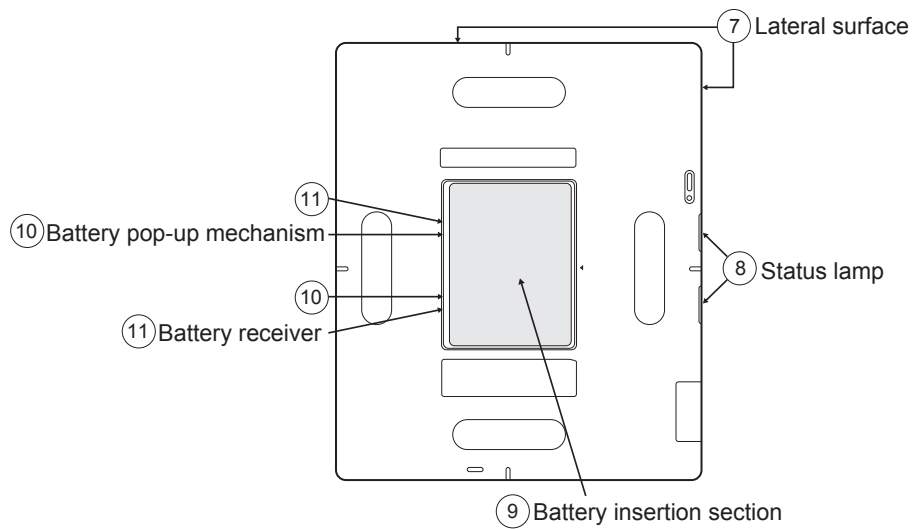
# A.4 Cleaning Fluids

This chapter describes cleaning fluids that can be used for cleaning the parts of the equipment. FUJIFILM has confirmed that the parts have resistance to these cleaning fluids. Carefully read the instructions provided with them.

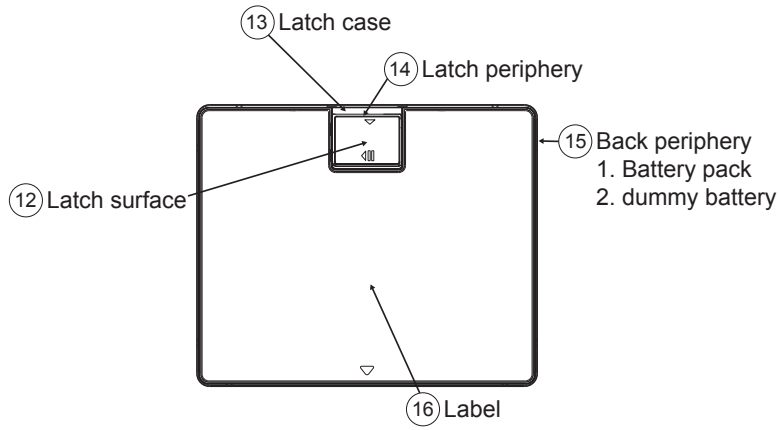
\* Depending on cleaning methods, sufficient disinfection effect may not be exerted.



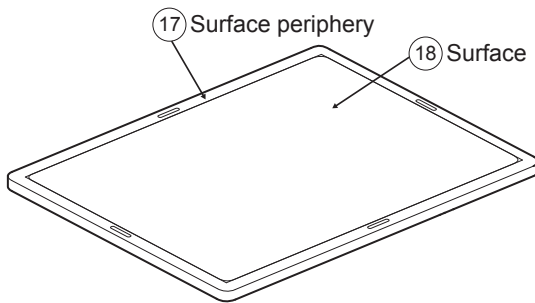
	①	②	③	④	⑤	⑥
Dehydrated ethanol	Yes	Yes	Yes	Yes	Yes	Yes
Isopropyl alcohol (concentration of 99.0% or more)	Yes	Yes	Yes	Yes	Yes	Yes



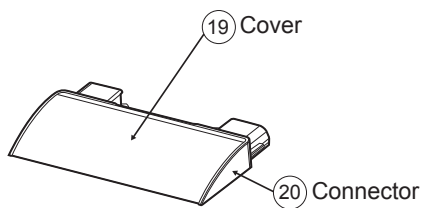
	⑦	⑧	⑨	⑩	⑪
Dehydrated ethanol	Yes	Yes	Yes	Yes	Yes
Isopropyl alcohol (concentration of 99.0% or more)	Yes	Yes	Yes	Yes	Yes



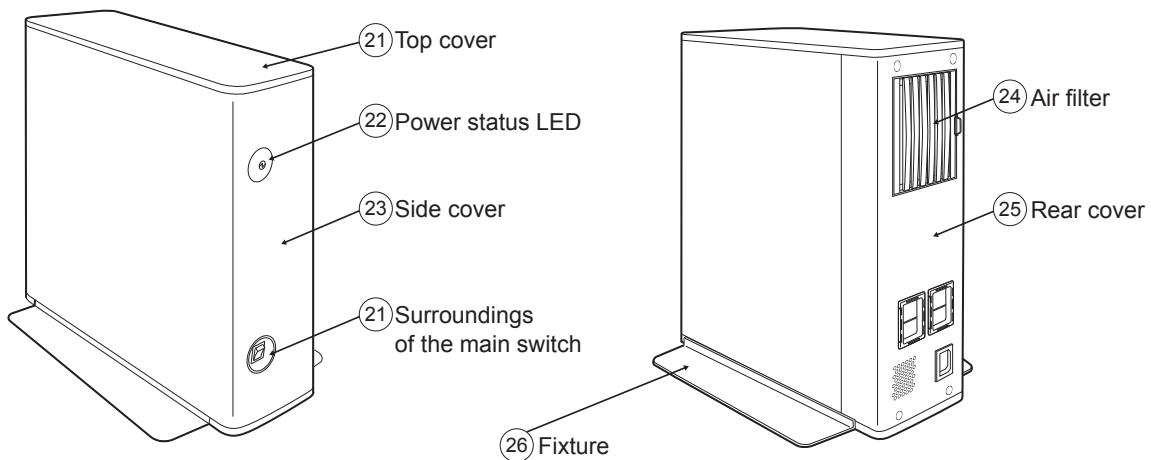
	⑫	⑬	⑭	⑮ 1.	⑮ 2.	⑯
Dehydrated ethanol	Yes	Yes	Yes	Yes	Yes	Yes
Isopropyl alcohol (concentration of 99.0% or more)	Yes		Yes	No	Yes	Yes



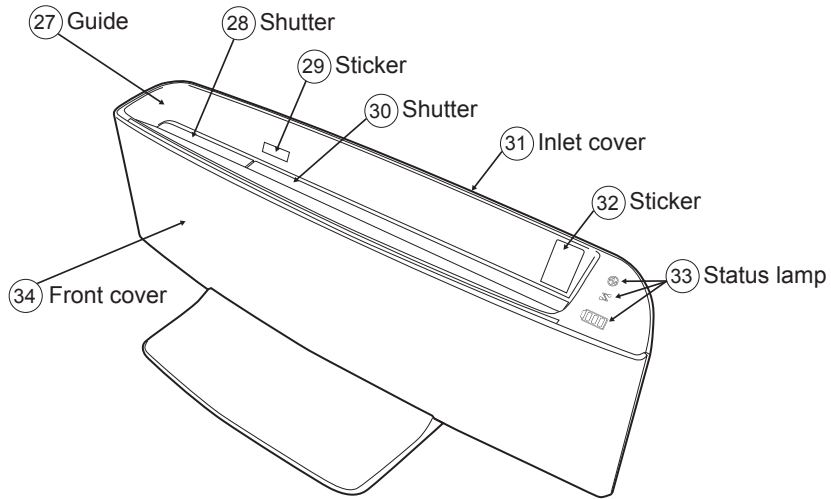
	⑰	⑱
Dehydrated ethanol	Yes	Yes
Isopropyl alcohol (concentration of 99.0% or more)	Yes	Yes



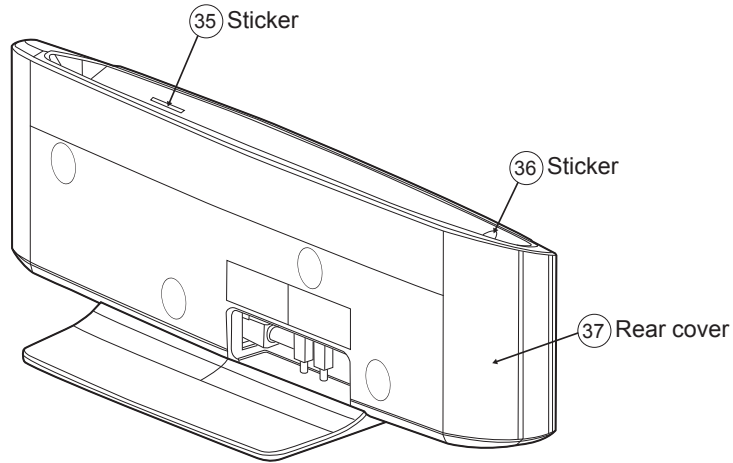
	⑲	⑳
Dehydrated ethanol	Yes	Yes
Isopropyl alcohol (concentration of 99.0% or more)	Yes	Yes



	⑳	㉑	㉒	㉓	㉔	㉕	㉖
Dehydrated ethanol	Yes	Yes	Yes	Yes	Yes	Yes	Yes
Isopropyl alcohol (concentration of 99.0% or more)	Yes	Yes	Yes	Yes	Yes	Yes	Yes



	27	28	29	30	31	32	33	34
Dehydrated ethanol	Yes	Yes	Yes	Yes	Yes	Yes	Yes	Yes
Isopropyl alcohol (concentration of 99.0% or more)	Yes	Yes	Yes	Yes	Yes	Yes	Yes	Yes

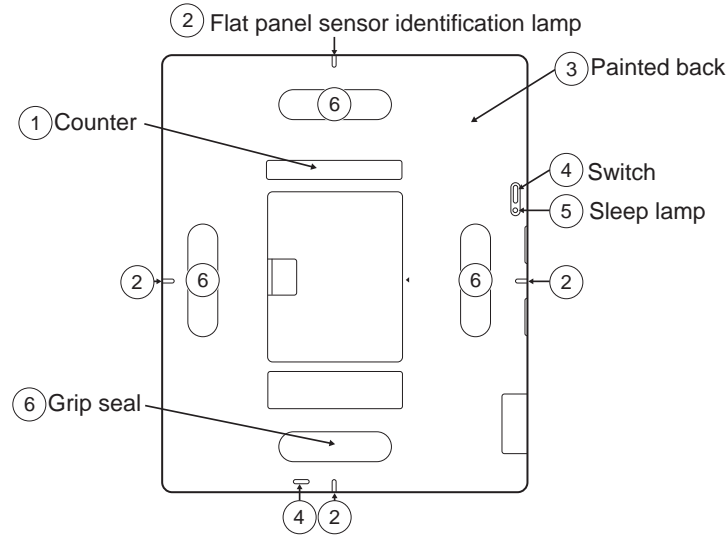


	35	36	37
Dehydrated ethanol	Yes	Yes	Yes
Isopropyl alcohol (concentration of 99.0% or more)	Yes	Yes	Yes

# Cleaning Fluids for DR-ID1200

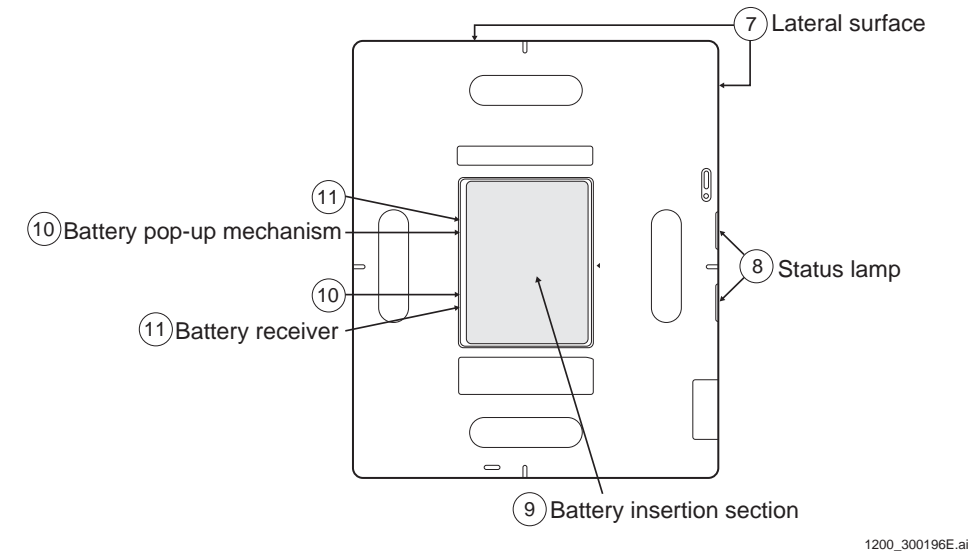
Describe cleaning fluids that can be used for cleaning the parts of the equipment.

■ SE



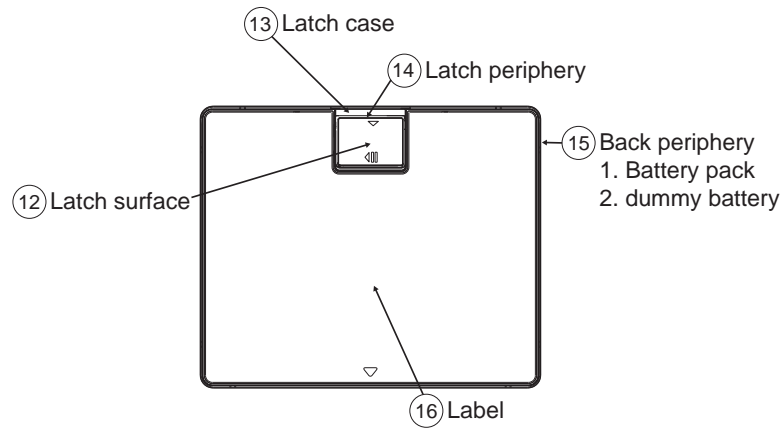
1200\_300195E.ai

		1	2	3	4	5	6
A	Ethanol (concentration of 99.5% or less)	Yes	Yes	Yes	Yes	Yes	Yes
B	Isopropyl alcohol (concentration of 99.0% or less)	Yes	Yes	Yes	Yes	Yes	Yes
F	SUPER SANI-CLOTH PDI	Yes	Yes	Yes	Yes	Yes	Yes
G	SANI-CLOTH PLUS PDI	No	Yes	Yes	Yes	Yes	Yes
I	SANI-CLOTH Bleach Wipe PDI	Yes	Yes	Yes	Yes	Yes	—
J	CALTECH DISPATCH	Yes	Yes	Yes	Yes	Yes	Yes
K	Mikrozid AF Liquid	Yes	Yes	Yes	Yes	Yes	Yes
L	Mikrozid AF Wipes	Yes	Yes	Yes	Yes	Yes	Yes
M	Bacillol@30Form	No	Yes	Yes	Yes	Yes	Yes
N	MELISEPTOL rapid	No	Yes	Yes	Yes	Yes	Yes
O	Bacillol AF	Yes	Yes	Yes	Yes	Yes	Yes
P	Bacillol plus	Yes	Yes	Yes	Yes	Yes	Yes
Q	Meliseptol Foam Pure/Fresh	Yes	Yes	Yes	Yes	Yes	Yes
R	MELISEPTOL	Yes	Yes	Yes	Yes	Yes	Yes



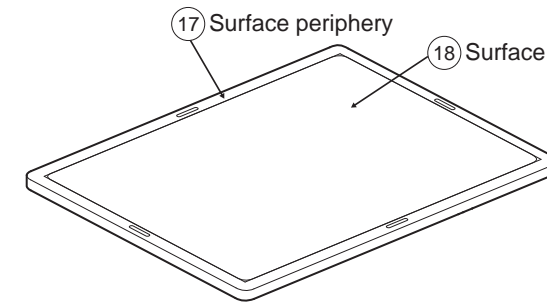
1200\_300196E.ai

		7	8	9	10	11
A	Ethanol (concentration of 99.5% or less)	Yes	Yes	Yes	Yes	Yes
B	Isopropyl alcohol (concentration of 99.0% or less)	Yes	Yes	Yes	Yes	Yes
C	Type FO	Yes	—	Yes	—	—
D	Mikrobac Tissue	Yes	—	Yes	Yes	—
E	Clinell wipes	Yes	—	Yes	Yes	—
F	SUPER SANI-CLOTH PDI	Yes	Yes	Yes	Yes	Yes
G	SANI-CLOTH PLUS PDI	Yes	Yes	Yes	Yes	Yes
H	SANI-CLOTH AF PDI	—	—	—	Yes	—
I	SANI-CLOTH Bleach Wipe PDI	—	Yes	No	Yes	Yes
J	CALTECH DISPATCH	—	Yes	No	Yes	Yes
K	Mikrozid AF Liquid	Yes	Yes	Yes	Yes	Yes
L	Mikrozid AF Wipes	Yes	Yes	Yes	Yes	Yes
M	Bacillol@30Form	No	No	No	Yes	Yes
N	MELISEPTOL rapid	Yes	Yes	No	Yes	Yes
O	Bacillol AF	Yes	Yes	Yes	Yes	Yes
P	Bacillol plus	Yes	Yes	Yes	Yes	Yes
Q	Meliseptol Foam Pure/Fresh	Yes	Yes	No	Yes	Yes
R	MELISEPTOL	Yes	Yes	Yes	Yes	Yes



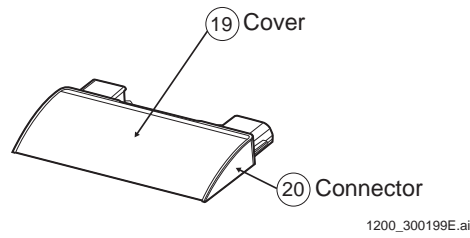
1200\_300197E.ai

		12	13	14	15-1	15-2	16
A	Ethanol (concentration of 99.5% or less)	Yes	Yes	Yes	Yes	Yes	Yes
B	Isopropyl alcohol (concentration of 99.0% or less)	Yes	—	Yes	No	Yes	Yes
C	Type FO	Yes	—	—	—	Yes	—
D	Mikrobac Tissue	Yes	—	Yes	No	Yes	—
E	Clinell wipes	Yes	—	Yes	No	Yes	—
F	SUPER SANI-CLOTH PDI	Yes	Yes	Yes	Yes	Yes	Yes
G	SANI-CLOTH PLUS PDI	Yes	Yes	Yes	No	Yes	No
H	SANI-CLOTH AF PDI	—	—	Yes	—	No	—
I	SANI-CLOTH Bleach Wipe PDI	—	Yes	Yes	Yes	Yes	Yes
J	CALTECH DISPATCH	—	Yes	Yes	Yes	Yes	Yes
K	Mikrozid AF Liquid	Yes	Yes	Yes	Yes	Yes	Yes
L	Mikrozid AF Wipes	Yes	Yes	Yes	Yes	Yes	Yes
M	Bacillol@30Form	No	Yes	Yes	No	Yes	No
N	MELISEPTOL rapid	Yes	Yes	Yes	No	Yes	No
O	Bacillol AF	Yes	Yes	Yes	Yes	Yes	Yes
P	Bacillol plus	Yes	Yes	Yes	Yes	Yes	Yes
Q	Meliseptol Foam Pure/Fresh	Yes	Yes	Yes	No	Yes	No
R	MELISEPTOL	Yes	Yes	Yes	Yes	Yes	Yes



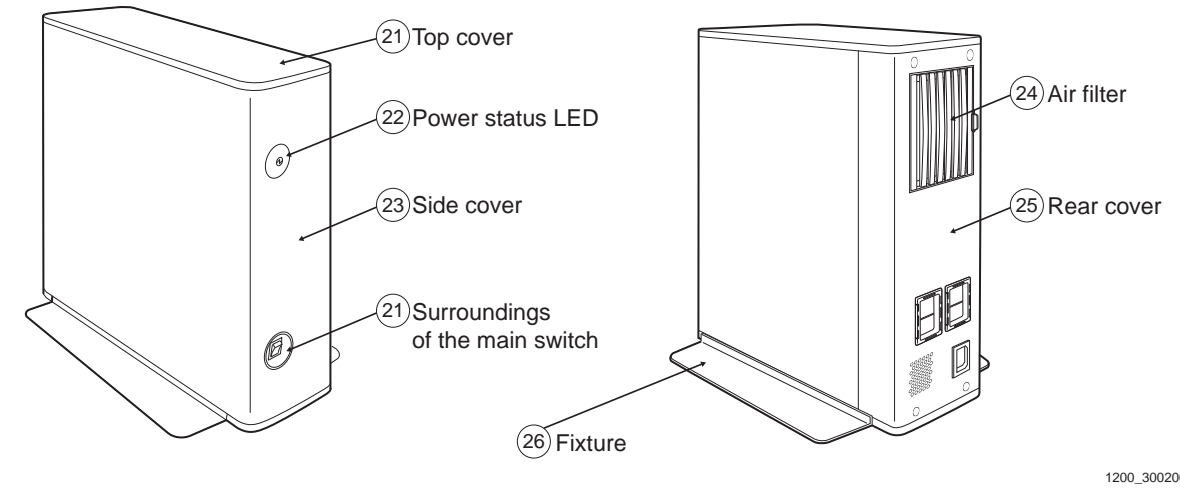
1200\_300198E.ai

		17	18
A	Ethanol (concentration of 99.5% or less)	Yes	Yes
B	Isopropyl alcohol (concentration of 99.0% or less)	Yes	Yes
C	Type FO	—	Yes
D	Mikrobac Tissue	—	Yes
E	Clinell wipes	—	Yes
F	SUPER SANI-CLOTH PDI	Yes	Yes
G	SANI-CLOTH PLUS PDI	Yes	Yes
I	SANI-CLOTH Bleach Wipe PDI	Yes	—
J	CALTECH DISPATCH	Yes	—
K	Mikrozid AF Liquid	Yes	Yes
L	Mikrozid AF Wipes	Yes	Yes
M	Bacillol@30Form	Yes	No
N	MELISEPTOL rapid	Yes	Yes
O	Bacillol AF	Yes	Yes
P	Bacillol plus	Yes	Yes
Q	Meliseptol Foam Pure/Fresh	Yes	Yes
R	MELISEPTOL	Yes	Yes



		19	20
A	Ethanol (concentration of 99.5% or less)	Yes	Yes
B	Isopropyl alcohol (concentration of 99.0% or less)	Yes	Yes
C	Type FO	Yes	—
D	Mikrobac Tissue	Yes	—
E	Clinell wipes	Yes	—
F	SUPER SANI-CLOTH PDI	Yes	Yes
G	SANI-CLOTH PLUS PDI	Yes	Yes
H	SANI-CLOTH AF PDI	No	—
I	SANI-CLOTH Bleach Wipe PDI	Yes	Yes
J	CALTECH DISPATCH	Yes	Yes
K	Mikrozid AF Liquid	Yes	Yes
L	Mikrozid AF Wipes	Yes	Yes
M	Bacillol@30Form	Yes	Yes
N	MELISEPTOL rapid	Yes	Yes
O	Bacillol AF	Yes	Yes
P	Bacillol plus	Yes	Yes
Q	Meliseptol Foam Pure/Fresh	Yes	Yes
R	MELISEPTOL	Yes	Yes

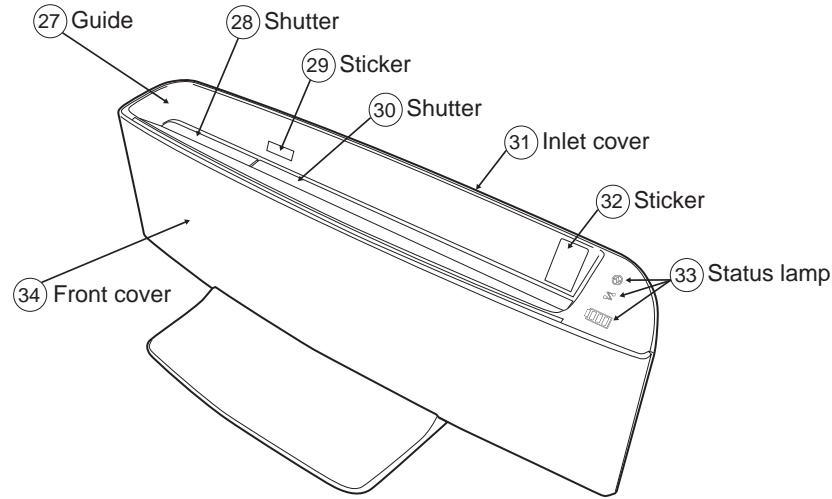
■ MP



		21	22	23	24	25	26
A	Ethanol (concentration of 99.5% or less)	Yes	Yes	Yes	Yes	Yes	Yes
B	Isopropyl alcohol (concentration of 99.0% or less)	Yes	Yes	Yes	Yes	Yes	Yes
C	Type FO	Yes	—	—	Yes	—	—
D	Mikrobac Tissue	Yes	—	—	Yes	—	—
E	Clinell wipes	Yes	—	—	Yes	—	—
F	SUPER SANI-CLOTH PDI	Yes	Yes	Yes	Yes	Yes	Yes
G	SANI-CLOTH PLUS PDI	Yes	Yes	Yes	Yes	Yes	Yes
H	SANI-CLOTH AF PDI	No	—	—	No	—	—
I	SANI-CLOTH Bleach Wipe PDI	Yes	Yes	Yes	Yes	Yes	Yes
J	CALTECH DISPATCH	Yes	Yes	Yes	Yes	Yes	Yes
K	Mikrozid AF Liquid	Yes	Yes	Yes	Yes	Yes	Yes
L	Mikrozid AF Wipes	Yes	Yes	Yes	Yes	Yes	Yes
M	Bacillol@30Form	Yes	Yes	Yes	Yes	Yes	Yes
N	MELISEPTOL rapid	Yes	Yes	Yes	Yes	Yes	Yes
O	Bacillol AF	Yes	Yes	Yes	Yes	Yes	Yes
P	Bacillol plus	Yes	Yes	Yes	Yes	Yes	Yes
Q	Meliseptol Foam Pure/Fresh	Yes	Yes	Yes	Yes	Yes	Yes
R	MELISEPTOL	Yes	Yes	Yes	Yes	Yes	Yes

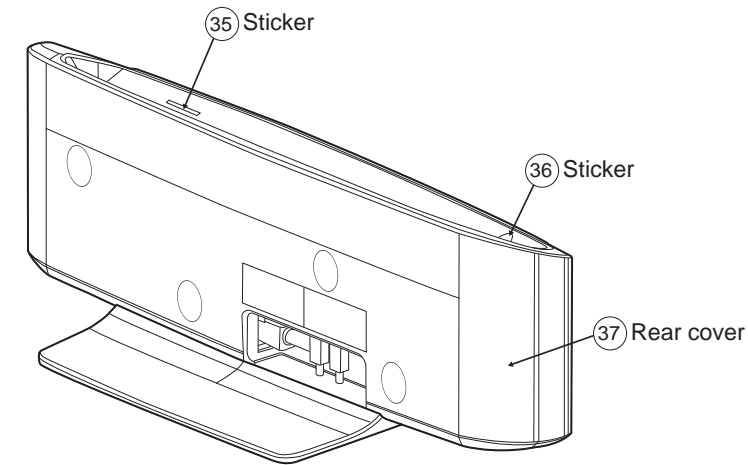


■ DS



1200\_300201E.ai

		27	28	29	30	31	32	33	34
A	Ethanol (concentration of 99.5% or less)	Yes	Yes	Yes	Yes	Yes	Yes	Yes	Yes
B	Isopropyl alcohol (concentration of 99.0% or less)	Yes	Yes	Yes	Yes	Yes	Yes	Yes	Yes
C	Type FO	—	—	Yes	—	Yes	Yes	—	—
D	Mikrobac Tissue	—	—	Yes	—	Yes	Yes	—	—
E	Clinell wipes	—	—	Yes	—	Yes	Yes	—	—
F	SUPER SANI-CLOTH PDI	Yes	Yes	Yes	Yes	Yes	Yes	Yes	Yes
G	SANI-CLOTH PLUS PDI	Yes	No	Yes	No	Yes	Yes	Yes	Yes
H	SANI-CLOTH AF PDI	Yes	—	—	—	No	—	—	Yes
I	SANI-CLOTH Bleach Wipe PDI	—	Yes	—	Yes	Yes	—	Yes	—
J	CALTECH DISPATCH	Yes	Yes	—	Yes	Yes	—	Yes	Yes
K	Mikrozid AF Liquid	Yes	Yes	Yes	Yes	Yes	Yes	Yes	Yes
L	Mikrozid AF Wipes	Yes	Yes	Yes	Yes	Yes	Yes	Yes	Yes
M	Bacillol@30Form	Yes	No	No	No	Yes	No	No	Yes
N	MELISEPTOL rapid	Yes	Yes	Yes	Yes	Yes	Yes	Yes	Yes
O	Bacillol AF	Yes	Yes	Yes	Yes	Yes	Yes	Yes	Yes
P	Bacillol plus	Yes	Yes	Yes	Yes	Yes	Yes	Yes	Yes
Q	Meliseptol Foam Pure/Fresh	Yes	No	Yes	No	Yes	Yes	Yes	Yes
R	MELISEPTOL	Yes	Yes	Yes	Yes	Yes	Yes	Yes	Yes



1200\_300202E.ai

		35	36	37
A	Ethanol (concentration of 99.5% or less)	Yes	Yes	Yes
B	Isopropyl alcohol (concentration of 99.0% or less)	Yes	Yes	Yes
C	Type FO	Yes	Yes	—
D	Mikrobac Tissue	Yes	Yes	—
E	Clinell wipes	Yes	Yes	—
F	SUPER SANI-CLOTH PDI	Yes	Yes	Yes
G	SANI-CLOTH PLUS PDI	Yes	Yes	Yes
H	SANI-CLOTH AF PDI	—	—	—
I	SANI-CLOTH Bleach Wipe PDI	—	—	Yes
J	CALTECH DISPATCH	—	—	Yes
K	Mikrozid AF Liquid	Yes	Yes	Yes
L	Mikrozid AF Wipes	Yes	Yes	Yes
M	Bacillol@30Form	No	No	Yes
N	MELISEPTOL rapid	Yes	Yes	Yes
O	Bacillol AF	Yes	Yes	Yes
P	Bacillol plus	Yes	Yes	Yes
Q	Meliseptol Foam Pure/Fresh	Yes	Yes	Yes
R	MELISEPTOL	Yes	Yes	Yes

# FDR Go PLUS & FDR Visionary Suite

## OEM Recommended Cleaning Instructions

To avoid secondary infection

### Outline

This document is Shimadzu's voluntary cleaning instructions for the equipment proposed to minimize the risk of secondary infection. Every country must deal with regulations separately. Standards required for specific clinical use differs from place to place.

### General Cleaning

Before using disinfectant agents, it is necessary to clean the surface of the equipment in advance. Please remove the dirt on the surface using a cloth without lint, or a soft toothbrush that does not damage the surface. If dirt is difficult to remove, please dilute dishwasher detergent and soap with lukewarm water, and use them.

\*Please make sure that the dishwasher detergent and soap used for cleaning is completely wiped off before disinfectant treatment.

### Disinfectant Agents (Disinfecting)

The following agents can be used. But there are some restrictions of use according to the target parts as stated in table below. Please make sure that disinfectant agent is wiped off after disinfecting is completed.

#### (A) Chlorine disinfectants

- Sodium dichloroisocyanurate solution (1% maximum)
- Sodium hypochlorite solution (1% maximum)

#### (B) Alcohol disinfectants

- Commercially available isopropyl alcohol solution (Up to 99 wt% can be used)
- Rubbing alcohol (76.9-81.4 vol% Ethanol, Isopropyl alcohol as an additive)

Table 1: Restriction of usable disinfectant according to the target parts

Parts	Usable disinfectant	Risk
Plastic parts	Chlorine disinfectant only.	Possibility of deterioration if alcohol disinfectant is used. Especially acrylic resin parts <ul style="list-style-type: none"> <li>● General x-ray system Acrylic table top (transparent resin part)</li> <li>● Collimator (front transparent resin part)</li> <li>● Touch screen for mobile equipment</li> <li>● dosimeter</li> </ul>
Metal parts without paint	Alcohol disinfectant only.	Possibility of deterioration if chlorine disinfectant is used.

 Caution

Please keep use of disinfectant agent to a minimum. Due to long-term disinfection, fading and cracking may occur in the exterior or resins. For example, rubber and plastics may deteriorate. If the product changes due to disinfecting, immediately stop using the product and request repair to your service representative.

 Caution

Please do not spray disinfectant directly on the equipment. If disinfectant penetrates the device, it may cause malfunction or other problems. Please turn off the power during disinfecting. When turning on the power after disinfecting, please thoroughly ventilate the inside of the examination room. If flammable gas remains in the room, there is a potential for danger of ignition, smoke, explosion, or electric shock when turning on the system.

### Examples of agents that can be used

List of disinfectant agents are extracted from the US Environmental Protection Agency (EPA) list of approved disinfectants for use against a new coronavirus infection (COVID -19).

This list does not guarantee the efficacy of disinfection.

Product name	company	Active ingredient	EPA registration number
Sani-Cloth Bleach Germicidal Disposable Wipe	DPI	Sodium hypochlorite	9480-8
PURELL Professional Surface Disinfectant Wipes	GOJO Industries	Ethanol	84150-1
Micro-kill Bleach Germicidal Bleach Wipes	Medline Industries	Sodium hypochlorite	37549-1
Clorox Healthcare® Bleach Germicidal Wipes	Clorox Professional Products Company	Sodium hypochlorite	67619-12

This instruction is applicable to the products manufactured by Medical Systems Div., Shimadzu Corporation only.